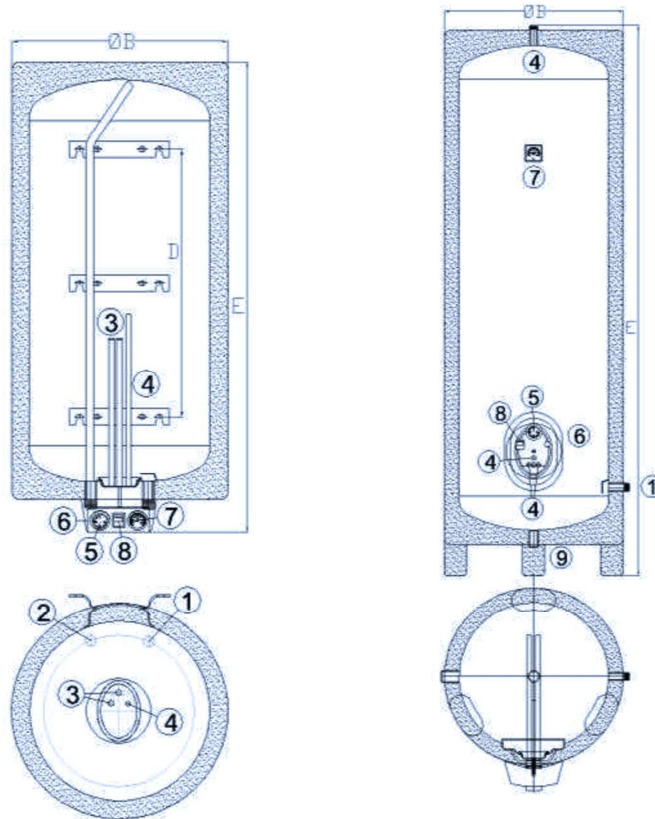


# Dimensions

## I MURAL

## II SOCLE



REFERENCE	Classe efficace énergétique	Profil consommation	LT	Dimensions (mm)				Puissance/tension
				A	ØB	D	E	
<b>I 1110</b>	<b>D</b>	<b>M</b>	100	1230	420	740	1200	1200 W / 220 V
<b>I 1120</b>	<b>D</b>	<b>M</b>	200	1315	600	740	1240	2400 W / 220 V
<b>II 1130</b>	<b>E</b>	<b>M</b>	300	1845	600		1730	3600 W / 400 V
<b>II 1150</b>	<b>E</b>	<b>M</b>	500					7200 W / 400 V

REF	LT	Connexions		
		1	2	9
<b>1110</b>	100	1/2"	1/2"	1/2"
<b>1120</b>	200	3/4"	3/4"	1/2"
<b>1130</b>	300	3/4"	3/4"	3/4"
<b>1150</b>	500			